



Slip & Drive Booster Coils



SLIP & DRIVE BOOSTER COIL

Coil Construction

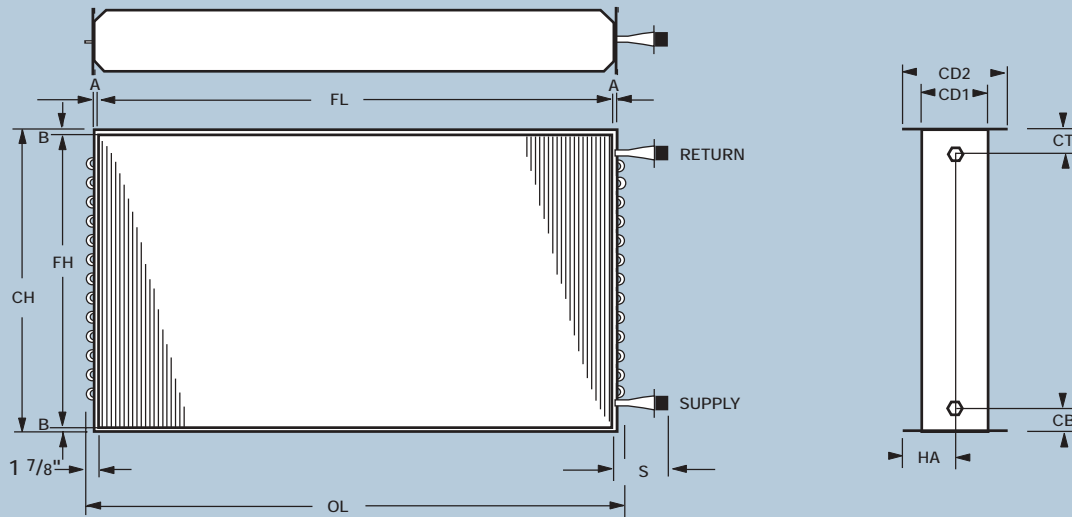
- * 5/8" O.D. Smooth Wall Copper Tubing
- * .020" Tube Wall Thickness
- * .008" Corrugated Aluminum Plate Fin
- * 16 Gauge Galvanized Steel Casing
- * Slip and Drive Casing

Note: Due to this being a stocking product line, there will be no exceptions to sizes or any changes allowed.

Order Entry Procedure

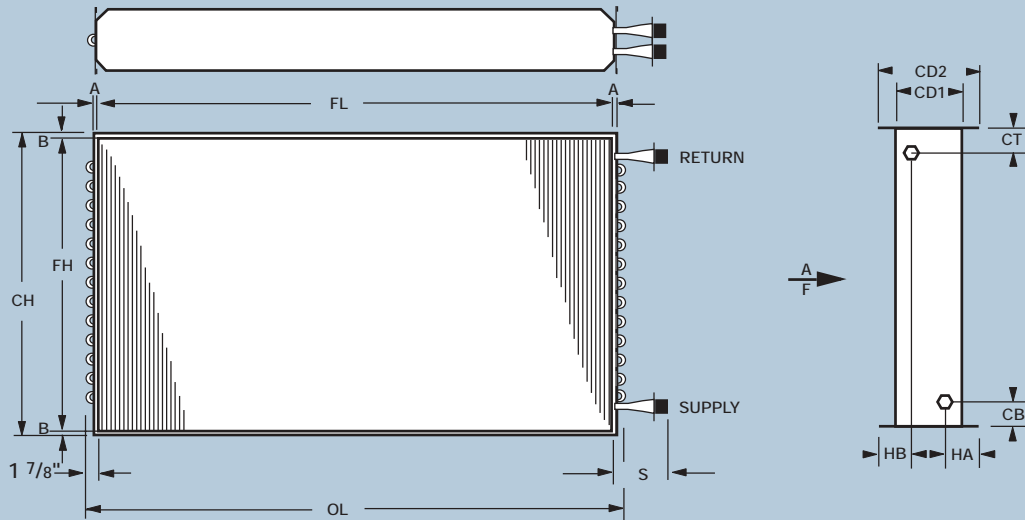
- * Specify quantities required
- * Order by Part Number (not model number)
- * Each coil will be individually cartoned. If bulk crating is acceptable, please indicate on order entry.
- * Continual engineering and research for product improvement may result in design and specification changes. Consult factory if certified drawings are required.

PHYSICAL DATA - 1 Row - Headerless

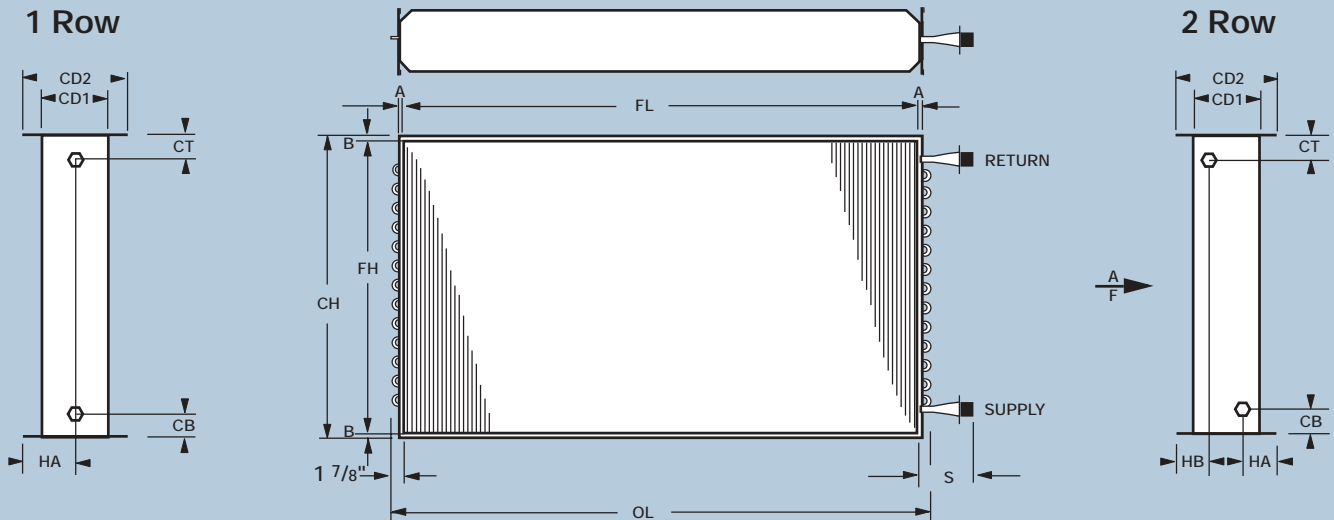


Part Number	Model Number	Conn. Sizes	Circuits	DIMENSIONS													
				Rows	FPI	FH	FL	A	B	CH	OL	CD1	CD2	S	HA	CT	CB
300	58BS-6x6-10-1WER-A	3/4" MPT	(1) Tube	1	10	6"	6"	.188"	.063"	6.13"	9.75"	5"	6"	3.25"	3"	.438"	1.188"
301	58BS-6x9-10-1WER-A	3/4" MPT	(1) Tube	1	10	6"	9"	.188"	.063"	6.13"	12.75"	5"	6"	3.25"	3"	.438"	1.188"
302	58BS-6x12-10-1WER-A	3/4" MPT	(1) Tube	1	10	6"	12"	.188"	.063"	6.13"	15.75"	5"	6"	3.25"	3"	.438"	1.188"
303	58BS-6x15-10-1WER-A	3/4" MPT	(1) Tube	1	10	6"	15"	.188"	.063"	6.13"	18.75"	5"	6"	3.25"	3"	.438"	1.188"
304	58BS-6x18-10-1WER-A	3/4" MPT	(1) Tube	1	10	6"	18"	.188"	.063"	6.13"	21.75"	5"	6"	3.25"	3"	.438"	1.188"
305	58BS-9x9-10-1WER-A	3/4" MPT	(1) Tube	1	10	9"	9"	.188"	.063"	9.13"	12.75"	5"	6"	3.25"	3"	.438"	1.188"
306	58BS-9x12-10-1WER-A	3/4" MPT	(1) Tube	1	10	9"	12"	.188"	.063"	9.13"	15.75"	5"	6"	3.25"	3"	.438"	1.188"
307	58BS-9x15-10-1WER-A	3/4" MPT	(1) Tube	1	10	9"	15"	.188"	.063"	9.13"	18.75"	5"	6"	3.25"	3"	.438"	1.188"
308	58BS-9x18-10-1WER-A	3/4" MPT	(1) Tube	1	10	9"	18"	.188"	.063"	9.13"	21.75"	5"	6"	3.25"	3"	.438"	1.188"
309	58BS-12x12-10-1WER-A	3/4" MPT	(1) Tube	1	10	12"	12"	.188"	.063"	12.13"	15.75"	5"	6"	3.25"	3"	.438"	1.188"
310	58BS-12x15-10-1WER-A	3/4" MPT	(1) Tube	1	10	12"	15"	.188"	.063"	12.13"	18.75"	5"	6"	3.25"	3"	.438"	1.188"
311	58BS-12x18-10-1WER-A	3/4" MPT	(1) Tube	1	10	12"	18"	.188"	.063"	12.13"	21.75"	5"	6"	3.25"	3"	.438"	1.188"
312	58BS-12x24-10-1WER-A	3/4" MPT	(1) Tube	1	10	12"	24"	.188"	.063"	12.13"	27.75"	5"	6"	3.25"	3"	.438"	1.188"

PHYSICAL DATA - 1 & 2 Row - Headerless

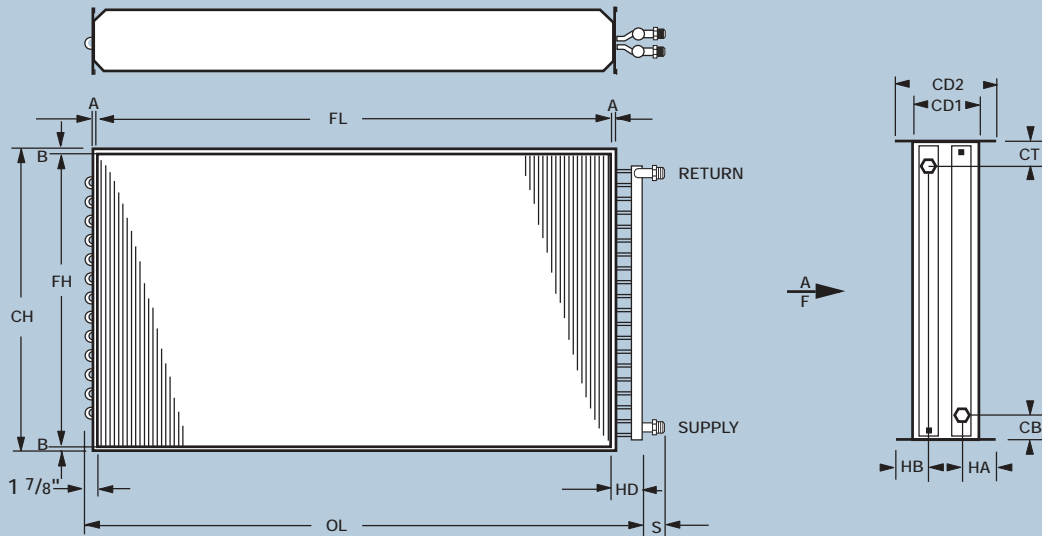


Part Number	Model Number	Conn. Sizes	Circuits	DIMENSIONS														
				Rows	FPI	FH	FL	A	B	CH	OL	CD1	CD2	S	HA	HB	CT	CB
400	58BS-6x6-10-2WER-A	3/4" MPT	(1) Tube	2	10	6"	6"	.188"	.063"	6.13"	9.75"	5"	6"	3.25"	2.375"	2.375"	.438"	.438"
401	58BS-6x9-10-2WER-A	3/4" MPT	(1) Tube	2	10	6"	9"	.188"	.063"	6.13"	12.75"	5"	6"	3.25"	2.375"	2.375"	.438"	.438"
402	58BS-6x12-10-2WER-A	3/4" MPT	(1) Tube	2	10	6"	12"	.188"	.063"	6.13"	15.75"	5"	6"	3.25"	2.375"	2.375"	.438"	.438"
403	58BS-6x15-10-2WER-A	3/4" MPT	(1) Tube	2	10	6"	15"	.188"	.063"	6.13"	18.75"	5"	6"	3.25"	2.375"	2.375"	.438"	.438"
404	58BS-6x18-10-2WER-A	3/4" MPT	(1) Tube	2	10	6"	18"	.188"	.063"	6.13"	21.75"	5"	6"	3.25"	2.375"	2.375"	.438"	.438"
405	58BS-9x9-10-2WER-A	3/4" MPT	(1) Tube	2	10	9"	9"	.188"	.063"	9.13"	12.75"	5"	6"	3.25"	2.375"	2.375"	.438"	.438"
406	58BS-9x12-10-2WER-A	3/4" MPT	(1) Tube	2	10	9"	12"	.188"	.063"	9.13"	15.75"	5"	6"	3.25"	2.375"	2.375"	.438"	.438"
407	58BS-9x15-10-2WER-A	3/4" MPT	(1) Tube	2	10	9"	15"	.188"	.063"	9.13"	18.75"	5"	6"	3.25"	2.375"	2.375"	.438"	.438"



Part Number	Model Number	Conn. Sizes	Circuits	DIMENSIONS														
				Rows	FPI	FH	FL	A	B	CH	OL	CD1	CD2	S	HA	HB	CT	CB
313	58BS-12x30-10-1WJR-A	3/4" MPT	(2) Tubes	1	10	12"	30"	.188"	.063"	12.13"	33.75"	5"	6"	4"	3"	3"	.438"	1.188"
314	58BS-12x36-10-1WJR-A	3/4" MPT	(2) Tubes	1	10	12"	36"	.188"	.063"	12.13"	39.75"	5"	6"	4"	3"	3"	.438"	1.188"
408	58BS-9x18-10-2WJR-A	3/4" MPT	(2) Tubes	2	10	9"	18"	.188"	.063"	9.13"	21.75"	5"	6"	4"	2.375"	2.375"	.438"	.438"
409	58BS-12x12-10-2WJR-A	3/4" MPT	(2) Tubes	2	10	12"	12"	.188"	.063"	12.13"	15.75"	5"	6"	4"	2.375"	2.375"	.438"	.438"
410	58BS-12x15-10-2WJR-A	3/4" MPT	(2) Tubes	2	10	12"	15"	.188"	.063"	12.13"	18.75"	5"	6"	4"	2.375"	2.375"	.438"	.438"
411	58BS-12x18-10-2WJR-A	3/4" MPT	(2) Tubes	2	10	12"	18"	.188"	.063"	12.13"	21.75"	5"	6"	4"	2.375"	2.375"	.438"	.438"
412	58BS-12x24-10-2WJR-A	3/4" MPT	(2) Tubes	2	10	12"	24"	.188"	.063"	12.13"	27.75"	5"	6"	4"	2.375"	2.375"	.438"	.438"

PHYSICAL DATA - 1 & 2 Row - With Headers



Part Number	Model Number	Conn. Sizes	Circuits	DIMENSIONS															
				Rows	FPI	FH	FL	A	B	CH	OL	CD1	CD2	S	HA	HB	CT	CB	HD
315	58BS-15x18-10-1WZR-A	3/4" MPT	(2) Tube	1	10	15"	18"	.188"	.063"	15.13"	22.75"	5"	6"	1.5"	1.813"	1.813"	.688"	1.438"	2.875"
316	58BS-15x24-10-1WZR-A	3/4" MPT	(2) Tube	1	10	15"	24"	.188"	.063"	15.13"	28.75"	5"	6"	1.5"	1.813"	1.813"	.688"	1.438"	2.875"
317	58BS-15x30-10-1WZR-A	3/4" MPT	(2) Tube	1	10	15"	30"	.188"	.063"	15.13"	34.75"	5"	6"	1.5"	1.813"	1.813"	.688"	1.438"	2.875"
318	58BS-15x36-10-1WZR-A	3/4" MPT	(2) Tube	1	10	15"	36"	.188"	.063"	15.13"	40.75"	5"	6"	1.5"	1.813"	1.813"	.688"	1.438"	2.875"
319	58BS-18x18-10-1WQR-B	1" MPT	(3) Tube	1	10	18"	18"	.188"	.063"	18.13"	23"	5"	6"	2"	1.688"	1.688"	.813"	1.563"	3.125"
320	58BS-18x24-10-1WQR-B	1" MPT	(3) Tube	1	10	18"	24"	.188"	.063"	18.13"	29"	5"	6"	2"	1.688"	1.688"	.813"	1.563"	3.125"
321	58BS-18x30-10-1WQR-B	1" MPT	(3) Tube	1	10	18"	30"	.188"	.063"	18.13"	35"	5"	6"	2"	1.688"	1.688"	.813"	1.563"	3.125"
322	58BS-18x36-10-1WQR-B	1" MPT	(3) Tube	1	10	18"	36"	.188"	.063"	18.13"	41"	5"	6"	2"	1.688"	1.688"	.813"	1.563"	3.125"
323	58BS-18x42-10-1WQR-B	1" MPT	(3) Tube	1	10	18"	42"	.188"	.063"	18.13"	47"	5"	6"	2"	1.688"	1.688"	.813"	1.563"	3.125"
324	58BS-18x48-10-1WQR-B	1" MPT	(3) Tube	1	10	18"	48"	.188"	.063"	18.13"	53"	5"	6"	2"	1.688"	1.688"	.813"	1.563"	3.125"
325	58BS-24x24-10-1WQR-C	1 1/4" MPT	(4) Tube	1	10	24"	24"	.188"	.063"	24.13"	29.25"	5"	6"	2.25"	1.563"	1.563"	.938"	1.688"	3.375"
326	58BS-24x30-10-1WQR-C	1 1/4" MPT	(4) Tube	1	10	24"	30"	.188"	.063"	24.13"	35.75"	5"	6"	2.25"	1.563"	1.563"	.938"	1.688"	3.375"
327	58BS-24x36-10-1WQR-C	1 1/4" MPT	(4) Tube	1	10	24"	36"	.188"	.063"	24.13"	41.75"	5"	6"	2.25"	1.563"	1.563"	.938"	1.688"	3.375"
328	58BS-24x48-10-1WQR-C	1 1/4" MPT	(4) Tube	1	10	24"	48"	.188"	.063"	24.13"	53.75"	5"	6"	2.25"	1.563"	1.563"	.938"	1.688"	3.375"
413	58BS-12x30-10-2WHR-A	3/4" MPT	(4) Tube	2	10	12"	30"	.188"	.063"	12.13"	34.75"	5"	6"	1.5"	1.75"	1.75"	.688"	.688"	2.875"
414	58BS-12x36-10-2WHR-A	3/4" MPT	(4) Tube	2	10	12"	36"	.188"	.063"	12.13"	40.75"	5"	6"	1.5"	1.75"	1.75"	.688"	.688"	2.875"
415	58BS-15x18-10-2WHR-B	1" MPT	(5) Tube	2	10	15"	18"	.188"	.063"	15.13"	23"	5"	6"	2"	1.625"	1.625"	.813"	.813"	3.175"
416	58BS-15x24-10-2WHR-B	1" MPT	(5) Tube	2	10	15"	24"	.188"	.063"	15.13"	29"	5"	6"	2"	1.625"	1.625"	.813"	.813"	3.175"
417	58BS-15x30-10-2WHR-B	1" MPT	(5) Tube	2	10	15"	30"	.188"	.063"	15.13"	35"	5"	6"	2"	1.625"	1.625"	.813"	.813"	3.175"
418	58BS-15x36-10-2WHR-B	1" MPT	(5) Tube	2	10	15"	36"	.188"	.063"	15.13"	41"	5"	6"	2"	1.625"	1.625"	.813"	.813"	3.175"
419	58BS-18x18-10-2WQR-C	1 1/4" MPT	(3) Tube	2	10	18"	18"	.188"	.063"	18.13"	23.25"	5"	6"	2.25"	1.563"	1.563"	.938"	.938"	3.375"
420	58BS-18x24-10-2WQR-C	1 1/4" MPT	(3) Tube	2	10	18"	24"	.188"	.063"	18.13"	29.25"	5"	6"	2.25"	1.563"	1.563"	.938"	.938"	3.375"
421	58BS-18x30-10-2WHR-C	1 1/4" MPT	(6) Tube	2	10	18"	30"	.188"	.063"	18.13"	35.25"	5"	6"	2.25"	1.563"	1.563"	.938"	.938"	3.375"
422	58BS-18x36-10-2WHR-C	1 1/4" MPT	(6) Tube	2	10	18"	36"	.188"	.063"	18.13"	41.25"	5"	6"	2.25"	1.563"	1.563"	.938"	.938"	3.375"
423	58BS-18x42-10-2WHR-C	1 1/4" MPT	(6) Tube	2	10	18"	42"	.188"	.063"	18.13"	47.25"	5"	6"	2.25"	1.563"	1.563"	.938"	.938"	3.375"
424	58BS-18x48-10-2WHR-C	1 1/4" MPT	(6) Tube	2	10	18"	48"	.188"	.063"	18.13"	53.25"	5"	6"	2.25"	1.563"	1.563"	.938"	.938"	3.375"
425	58BS-21x30-10-2WHR-C	1 1/4" MPT	(7) Tube	2	10	21"	30"	.188"	.063"	21.13"	35.25"	5"	6"	2.25"	1.563"	1.563"	.938"	.938"	3.375"
426	58BS-21x36-10-2WHR-C	1 1/4" MPT	(7) Tube	2	10	21"	36"	.188"	.063"	21.13"	41.25"	5"	6"	2.25"	1.563"	1.563"	.938"	.938"	3.375"
427	58BS-21x48-10-2WHR-C	1 1/4" MPT	(7) Tube	2	10	21"	48"	.188"	.063"	21.13"	53.25"	5"	6"	2.25"	1.563"	1.563"	.938"	.938"	3.375"
428	58BS-24x24-10-2WQR-C	1 1/4" MPT	(4) Tube	2	10	24"	24"	.188"	.063"	24.13"	29.25"	5"	6"	2.25"	1.563"	1.563"	.938"	.938"	3.375"
429	58BS-24x30-10-2WHR-C	1 1/4" MPT	(8) Tube	2	10	24"	30"	.188"	.063"	24.13"	35.25"	5"	6"	2.25"	1.563"	1.563"	.938"	.938"	3.375"
430	58BS-24x36-10-2WHR-C	1 1/4" MPT	(8) Tube	2	10	24"	36"	.188"	.063"	24.13"	41.25"	5"	6"	2.25"	1.563"	1.563"	.938"	.938"	3.375"
431	58BS-24x48-10-2WHR-C	1 1/4" MPT	(8) Tube	2	10	24"	48"	.188"	.063"	24.13"	53.25"	5"	6"	2.25"	1.563"	1.563"	.938"	.938"	3.375"

PERFORMANCE ADATA - 1 Row

Part Number	Model Number	EAT	LAT	TOTAL BTUH	APD	EWT	LWT	WD
300	58BS6x6-10-1WER	55°	78.7°	5,140	.16"	200°	180°	.11'
			73.1°	3,930		180°	160°	.07'
			67.8°	2,770		160°	140°	.04'
301	58BS6x9-10-1WER	55°	81.9°	8,740	.16"	200°	180°	.31'
			76.2°	6,900		180°	160°	.20'
			70.7°	5,110		160°	140°	.11'
302	58BS6x12-10-1WER	55°	83.7°	12,440	.16"	200°	180°	.60'
			78.1°	10,000		180°	160°	.39'
			72.5°	7,580		160°	140°	.24'
303	58BS6x15-10-1WER	55°	84.9°	16,190	.16"	200°	180°	.98'
			79.2°	13,140		180°	160°	.66'
			73.7°	10,120		160°	140°	.41'
304	58BS6x18-10-1WER	55°	85.7°	19,960	.16"	200°	180°	1.46'
			80.1°	16,320		180°	160°	1.00'
			74.5°	12,690		160°	140°	.63'
305	58BS9x9-10-1WER	55°	84.3°	14,300	.16"	200°	180°	.89'
			78.7°	11,560		180°	160°	.60'
			73.1°	8,840		160°	140°	.37'
306	58BS9x12-10-1WER	55°	85.7°	19,960	.16"	200°	180°	1.67'
			80.1°	16,320		180°	160°	1.14'
			74.5°	12,690		160°	140°	.72'
307	58BS9x15-10-1WER	55°	86.6°	25,670	.16"	200°	180°	2.68'
			81.1°	21,130		180°	160°	1.87'
			75.4°	16,610		160°	140°	1.20'
308	58BS9x18-10-1WER	55°	87.2°	31,420	.16"	200°	180°	4.01'
			81.6°	26,000		180°	160°	2.82'
			76.1°	20,590		160°	140°	1.84'
309	58BS12x12-10-1WER	55°	86.8°	27,580	.16"	200°	180°	3.44'
			81.2°	22,750		180°	160°	2.42'
			75.7°	17,940		160°	140°	1.57'
310	58BS12x15-10-1WER	55°	87.5°	35,250	.16"	200°	180°	5.51'
			82.1°	29,240		180°	160°	3.90'
			76.4°	23,230		160°	140°	2.58'
311	58BS12x18-10-1WER	55°	88.2°	42,940	.16"	200°	180°	8.07'
			82.5°	35,750		180°	160°	5.77'
			77.1°	28,570		160°	140°	3.84'
312	58BS12x24-10-1WJR	55°	86.8°	55,170	.16"	200°	180°	2.74'
			81.2°	45,510		180°	160°	1.91'
			75.7°	35,870		160°	140°	1.23'
313	58BS12x30-10-1WJR	55°	87.5°	70,490	.16"	200°	180°	4.43'
			82.1°	58,470		180°	160°	3.12'
			76.4°	46,460		160°	140°	2.04'
314	58BS12x36-10-1WJR	55°	88.1°	85,880	.16"	200°	180°	6.56'
			82.5°	71,500		180°	160°	4.65'
			77.1°	57,130		160°	140°	3.08'

1 Row Rating Factors

FPM	APD	LAT	BTUH	WPD
500	.08"	LAT x 1.10	BTUH x .80	WPD x .70
600	.10"	LAT x 1.06	BTUH x .88	WPD x .80
1000	.23"	LAT x .95	BTUH x 1.09	WPD x 1.19

NOTE: - All table ratings are based on 800 FPM face velocity. Attached rating factors can be used with all 1 row booster coils.

PERFORMANCE DATA - 1 Row

Part Number	Model Number	EAT	LAT	TOTAL BTUH	APD	EWT	LWT	WD
315	58BS15x18-10-1WJR	55°	86.6°	51,350	.16"	200°	180°	2.54'
			81.1°	42,280		180°	160°	1.76'
			75.4°	33,240		160°	140°	1.13'
316	58BS15x24-10-1WJR	55°	87.5°	70,490	.16"	200°	180°	4.70'
			82.1°	58,470		180°	160°	3.31'
			76.4°	46,460		160°	140°	2.17'
317	58BS15x30-10-1WJR	55°	88.1°	89,740	.16"	200°	180°	7.57'
			82.6°	74,770		180°	160°	5.39'
			77.1°	59,810		160°	140°	3.58'
318	58BS15x36-10-1WJR	55°	88.5°	109,050	.16"	200°	180°	11.19'
			83.2°	91,140		180°	160°	8.02'
			77.5°	73,230		160°	140°	5.38'
319	58BS18x18-10-1WQR	55°	85.7°	59,900	.16"	200°	180°	1.46'
			80.1°	78,970		180°	160°	1.00'
			74.5°	38,100		160°	140°	.63'
320	58BS18x24-10-1WQR	55°	86.8°	82,750	.16"	200°	180°	2.74'
			81.2°	68,260		180°	160°	1.91'
			75.7°	53,810		160°	140°	1.23'
321	58BS18x30-10-1WQR	55°	87.5°	105,740	.16"	200°	180°	4.43'
			82.1°	87,710		180°	160°	3.12'
			76.4°	69,700		160°	140°	2.04'
322	58BS18x36-10-1WQR	55°	88.1°	128,830	.16"	200°	180°	6.56'
			82.5°	107,260		180°	160°	4.65'
			77.1°	85,700		160°	140°	3.08'
323	58BS18x42-10-1WQR	55°	88.4°	151,980	.16"	200°	180°	9.15'
			82.9°	126,880		180°	160°	6.53'
			77.3°	101,780		160°	140°	4.36'
324	58BS18x48-10-1WQR	55°	88.7°	175,180	.16"	200°	180°	12.22'
			83.2°	146,550		180°	160°	8.76'
			77.7°	117,920		160°	140°	5.89'
325	58BS24x24-10-1WQR	55°	86.8°	110,330	.16"	200°	180°	2.74'
			81.2°	91,020		180°	160°	1.91'
			75.7°	71,740		160°	140°	1.23'
326	58BS24x30-10-1WQR	55°	87.5°	140,990	.16"	200°	180°	4.43'
			82.1°	116,940		180°	160°	3.12'
			76.4°	92,930		160°	140°	2.04'
327	58BS24x36-10-1WQR	55°	88.1°	171,770	.16"	200°	180°	6.56'
			82.5°	143,010		180°	160°	4.65'
			77.1°	114,260		160°	140°	3.08'
328	58BS24x48-10-1WQR	55°	88.7°	233,570	.16"	200°	180°	12.22'
			83.2°	195,400		180°	160°	8.76'
			77.7°	157,220		160°	140°	5.89'

1 Row Rating Factors

FPM	APD	LAT	BTUH	WPD
500	.08"	LAT x 1.10	BTUH x .80	WPD x .70
600	.10"	LAT x 1.06	BTUH x .88	WPD x .80
1000	.23"	LAT x .95	BTUH x 1.09	WPD x 1.19

NOTE: - All table ratings are based on 800 FPM face velocity. Attached rating factors can be used with all 1 row booster coils.

PERFORMANCE DATA - 2 Row

Part Number	Model Number	EAT	LAT	BTUH	APD	EWT	LWT	WPD
400	58BS6x6-10-2WER	55°	105.3°	10,900	.33"	200°	180°	.61'
			95.5°	8,780		180°	160°	.41'
			85.7°	6,670		160°	140°	.25'
401	58BS6x9-10-2WER	55°	108.6°	17,450	.33"	200°	180°	1.47'
			98.9°	14,290		180°	160°	1.02'
			89.2°	11,140		160°	140°	.65'
402	58BS6x12-10-2WER	55°	110.5°	24,060	.33"	200°	180°	2.70'
			100.8°	19,880		180°	160°	1.90'
			91.2°	15,700		160°	140°	1.24'
403	58BS6x15-10-2WER	55°	111.7°	30,720	.33"	200°	180°	4.31'
			102.1°	25,510		180°	160°	3.06'
			92.4°	20,300		160°	140°	2.03'
404	58BS6x18-10-2WER	55°	112.5°	37,400	.33"	200°	180°	6.31'
			102.9°	31,170		180°	160°	4.52'
			93.3°	24,940		160°	140°	3.02'
405	58BS9x9-10-2WER	55°	111.1°	27,380	.33"	200°	180°	4.13'
			101.5°	22,680		180°	160°	2.94'
			91.9°	17,990		160°	140°	1.94'
406	58BS9x12-10-2WER	55°	112.5°	37,390	.33"	200°	180°	7.47'
			102.9°	31,160		180°	160°	5.37'
			93.3°	24,930		160°	140°	3.61'
407	58BS9x15-10-2WER	55°	113.3°	47,450	.33"	200°	180°	11.82'
			103.8°	39,690		180°	160°	8.56'
			94.2°	31,920		160°	140°	5.81'
408	58BS9x18-10-2WJR	55°	111.1°	54,780	.33"	200°	180°	3.11'
			101.5°	45,380		180°	160°	2.20'
			91.9°	35,990		160°	140°	1.44'
409	58BS12x12-10-2WJR	55°	110.5°	48,130	.33"	200°	180°	2.70'
			100.8°	39,750		180°	160°	1.90'
			91.2°	31,390		160°	140°	1.24'
410	58BS12x15-10-2WJR	55°	111.7°	61,440	.33"	200°	180°	4.31'
			102.1°	51,020		180°	160°	3.06'
			92.4°	40,600		160°	140°	2.03'
411	58BS12x18-10-2WJR	55°	112.5°	74,800	.33"	200°	180°	6.31'
			102.9°	62,340		180°	160°	4.52'
			93.3°	49,870		160°	140°	3.02'
412	58BS12x24-10-2WJR	55°	113.6°	101,620	.33"	200°	180°	11.55'
			104.1°	85,080		180°	160°	8.34'
			94.5°	68,530		160°	140°	5.65'
413	58BS12x30-10-2WHR	55°	111.7°	122,880	.33"	200°	180°	3.46'
			102.1°	102,040		180°	160°	2.44'
			92.4°	81,200		160°	140°	1.60'
414	58BS12x36-10-2WHR	55°	112.5°	149,600	.33"	200°	180°	5.12'
			102.9°	124,680		180°	160°	3.64'
			93.3°	99,750		160°	140°	2.42'
415	58BS15x18-10-2WHR	55°	108.6°	87,230	.33"	200°	180°	1.15'
			98.6°	71,440		180°	160°	.79'
			89.2°	55,690		160°	140°	.50'
416	58BS15x24-10-2WHR	55°	110.5°	120,320	.33"	200°	180°	2.14'
			100.8°	99,390		180°	160°	1.49'
			91.2°	78,480		160°	140°	.97'

2 Row Rating Factors

FPM	APD	LAT	BTUH	WPD
500	.16"	LAT x 1.11	BTUH x .77	WPD x .65
600	.21"	LAT x 1.065	BTUH x .855	WPD x .77
1000	.47"	LAT x .945	BTUH x 1.11	WPD x 1.23

NOTE: - All table ratings are based on 800 FPM face velocity. Attached rating factors can be used with all 2 row booster coils.

PERFORMANCE DATA - 2 Row

Part Number	Model Number	EAT	LAT	TOTAL BTUH	APD	EWT	LWT	WD
417	58BS15x30-10-2WHR	55°	111.7°	153,600	.33"	200°	180°	3.46'
			102.1°	127,550		180°	160°	2.44'
			92.4°	101,500		160°	140°	1.60'
418	58BS15x36-10-2WHR	55°	112.5°	187,000	.33"	200°	180°	5.12'
			102.9°	155,850		180°	160°	3.64'
			93.3°	124,680		160°	140°	2.42'
419	58BS18x18-10-2WQR	55°	112.5°	112,200	.33"	200°	180°	6.31'
			102.9°	93,510		180°	160°	4.52'
			93.3°	74,810		160°	140°	3.02'
420	58BS18x24-10-2WQR	55°	113.6°	152,430	.33"	200°	180°	11.55'
			104.1°	127,620		180°	160°	8.34'
			94.5°	102,800		160°	140°	5.65'
421	58BS18x30-10-2WHR	55°	111.7°	184,320	.33"	200°	180°	3.46'
			102.1°	153,060		180°	160°	2.44'
			92.4°	121,810		160°	140°	1.60'
422	58BS18x36-10-2WHR	55°	112.5°	224,400	.33"	200°	180°	5.12'
			102.9°	187,020		180°	160°	3.64'
			93.3°	149,620		160°	140°	2.42'
423	58BS18x42-10-2WHR	55°	113.1°	264,590	.33"	200°	180°	7.13'
			103.5°	221,090		180°	160°	5.10'
			94.1°	177,560		160°	140°	3.41'
424	58BS18x48-10-2WHR	55°	113.6°	304,860	.33"	200°	180°	9.52'
			104.1°	255,240		180°	160°	6.84'
			94.5°	205,590		160°	140°	4.61'
425	58BS21x30-10-2WHR	55°	111.7°	215,040	.33"	200°	180°	3.46'
			102.1°	178,570		180°	160°	2.44'
			92.4°	142,111		160°	140°	1.60'
426	58BS21x36-10-2WHR	55°	112.5°	261,800	.33"	200°	180°	5.12'
			102.9°	218,800		180°	160°	3.64'
			93.3°	174,560		160°	140°	2.42'
427	58BS21x48-10-2WHR	55°	113.6°	355,670	.33"	200°	180°	9.52'
			104.1°	297,780		180°	160°	6.84'
			94.5°	239,860		160°	140°	4.61'
428	58BS24x24-10-2WQR	55°	113.6°	203,240	.33"	200°	180°	11.55'
			104.1°	170,160		180°	160°	8.34'
			94.5°	137,060		160°	140°	5.65'
429	58BS24x30-10-2WHR	55°	111.7°	245,760	.33"	200°	180°	3.46'
			102.1°	204,080		180°	160°	2.44'
			92.4°	162,410		160°	140°	1.60'
430	58BS24x36-10-2WHR	55°	112.5°	299,200	.33"	200°	180°	5.12'
			102.9°	249,350		180°	160°	3.64'
			93.3°	199,490		160°	140°	2.42'
431	58BS24x48-10-2WHR	55°	113.6°	406,480	.33"	200°	180°	9.52'
			104.1°	340,320		180°	160°	6.84'
			94.5°	274,120		160°	140°	4.61'

2 Row Rating Factors

NOTE: All table ratings are based on 800 FPM face velocity. Attached rating factors can be used with all 2-row booster coils.

FPM	APD	LAT	BTUH	WPD
500	.16"	LAT x 1.11	BTUH x .77	WPD x .65
600	.21"	LAT x 1.065	BTUH x .855	WPD x .77
1000	.47"	LAT x .945	BTUH x 1.11	WPD x 1.23

